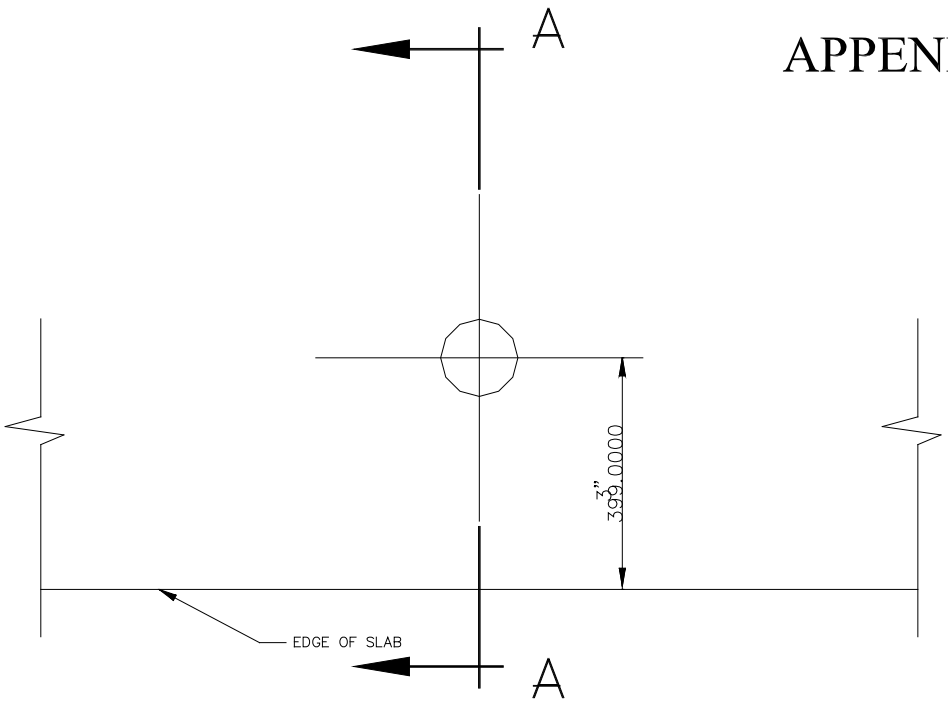
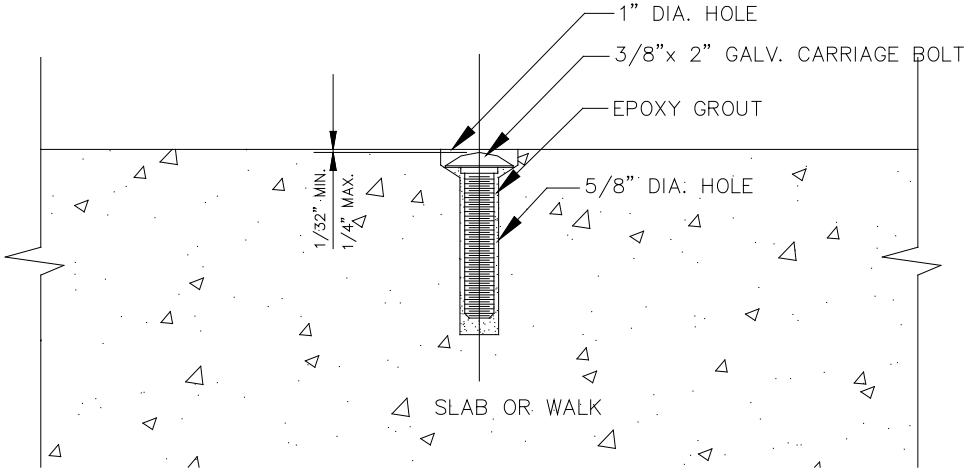


APPENDIX C



PLAN FOR IRRIGATION SLEEVE MARKER

- SHOWN FOR EXISTING WALKS
- CAST IN PLACE @ NEW WALKS



SECTION A - A



IRRIGATION SLEEVE MARKER

NOT TO SCALE

DATE REV.
3/2/01

FILE NO.
ISM